

## **Ampex plug-in Microphone Preamp 4010066**

The preamplifier is wired so that a variable gain control may be inserted between the two stages. When used with Ampex recorders (AG-440, AG-500, AG-600), the record level control on the equipment is so connected, making the preamplifier a variable-gain device that accommodates a wide variety of professional-quality microphones.

The unit can be used to drive any amplifier with a 100K ohm input impedance, at a 0.1 VRMS level. When so used, the signal input is connected across pins 4 and 8, the unbalanced output is taken across pins 7 and 2 (ground). Power (+24VDC) is connected to pin 5, with pin 2 again as ground. The previously mentioned variable-gain control (100K ohms) is connected across pins 3 and 6. Pin 1 should be connected to the case of the unit, and should also be grounded.

(from the Ampex AG-600B user manual)

ASSEMBLY NO. 40100668

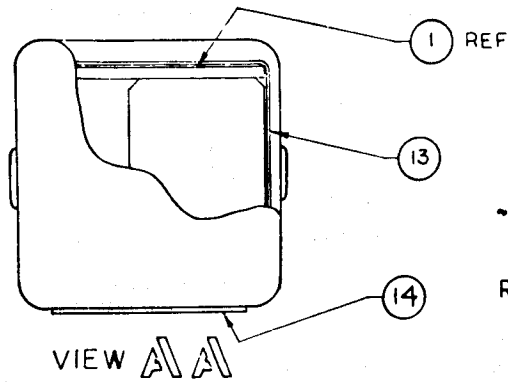
TITLE TRANSISTOR MICROPHONE PREAMPLIFIER  
ASSEMBLY

SHEET 1 OF 1

NEXT HIGHER ASSEMBLY NO. ACCESSORY

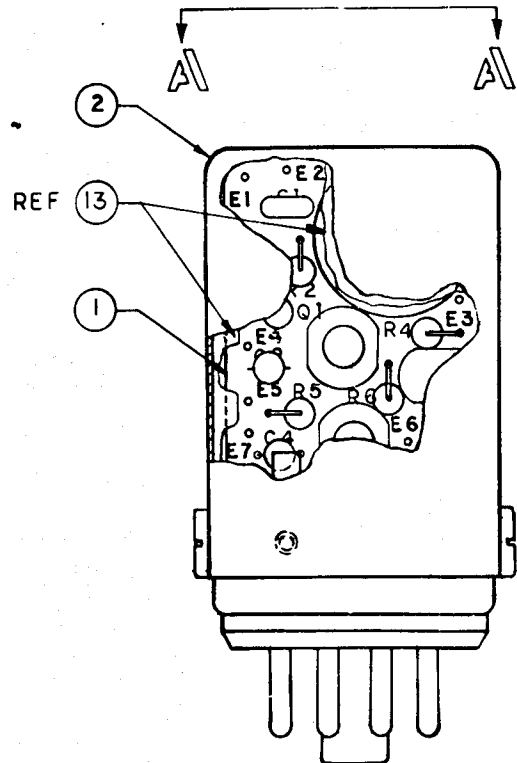
ITEM NO.	AMPEX PART NO.	REFERENCE NUMBER	DESCRIPTION	JEDEC NO. OR MFR. PART NO.
1	4050409-01		TRANSISTOR MICROPHONE PREAMP PWA	
2	4290201-10		CAN, PLUG-IN MODIFIED	
3	4170150-05		LABEL, PREAMPLIFIER	
12	4890164		INSTRUCTION SHEET	
13	4130147-10		PAD	
14	4170150-06		LABEL, PREAMPLIFIER	
15	4840153		SCHEMATIC	

VERSION: 4010066-02



**WIRE LEAD LIST**

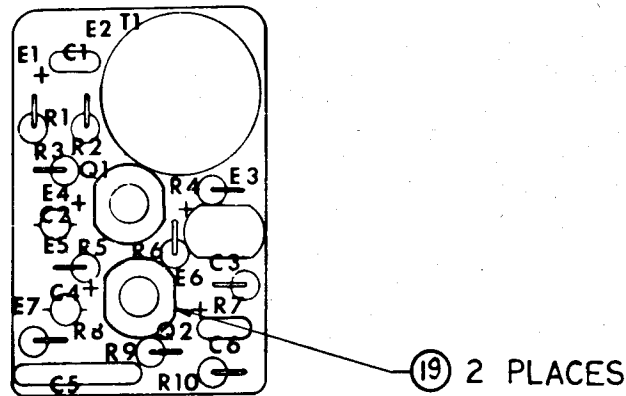
WIRE NO	FROM			TO		ITEM NO. OF LM 4010066
	REF	DES	TERM	REF	DES	
1	P2		8	PWB	E1	11
2	P2		4	PWB	E2	7
3	P2		2	PWB	E3	5
4	P2		3	PWB	E4	6
5	P2		5	PWB	E5	8
6	P2		6	PWB	E6	9
7	P2		7	PWB	E7	10
8	P2		1	ITEM 2	GRD	4

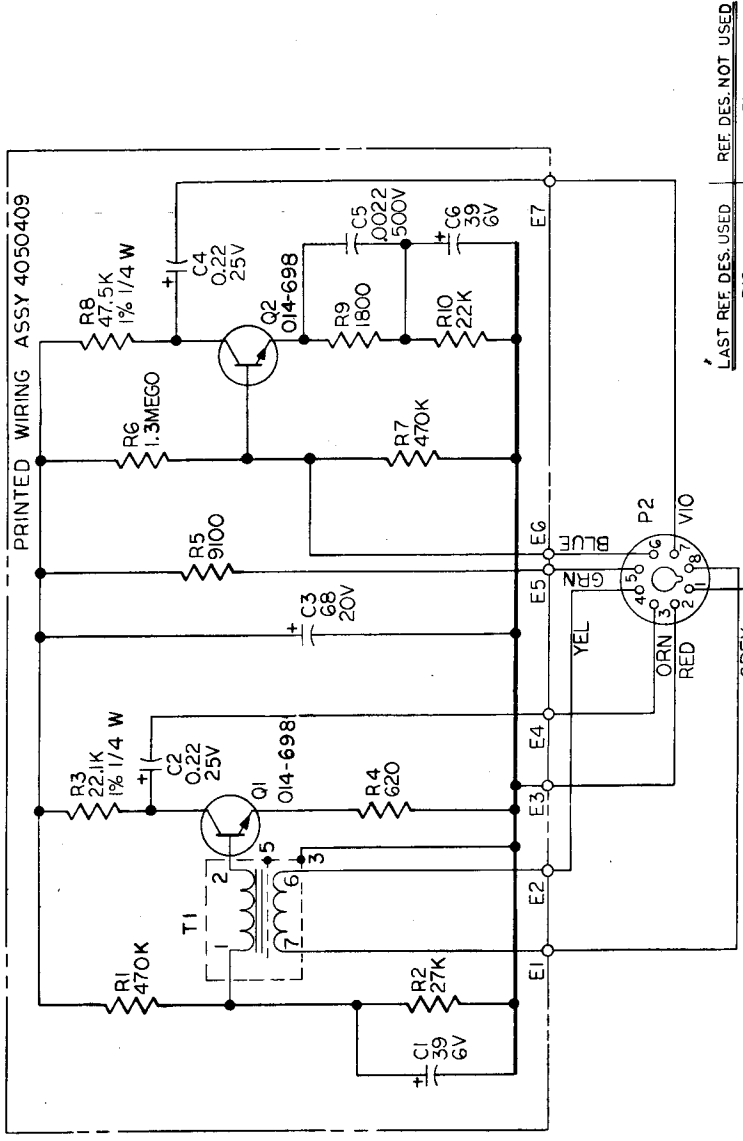


Assembly No. 4010066, Transistor Microphone Preampfier Assembly

ITEM NO.	AMPEX PART NO.	REFERENCE NUMBER	DESCRIPTION	JEDEC NO. OR MFR. PART NO.
2	4580197-01	T1	TRANSFORMER, MICROPHONE	2N3565
3	014-698	Q1, 2	TRANSISTOR	
4	030-102	C5	CAPACITOR, CERAMIC, 0.0022 UF, 500V	
5	037-450	C2, 4	CAPACITOR, TANT, 0.22 UF, 25V	
6	037-452	C1, 6	CAPACITOR, TANT, 39 UF, 6V	
7	037-451	C3	CAPACITOR, TANT, 68 UF, 20V	
8	041-015	R2	RESISTOR, CARBON COMP, 27K, 1/2W, 5%	
9	041-029	R1, 7	RESISTOR, CARBOM COMP, 470K, 1/2W, 5%	
10	041-006	R4	RESISTOR, CARBON COMP, 620 OHM, 1/2W, 5%	
11	041-377	R6	RESISTOR, CARBON COMP, 1.3M, 1/2W, 5%	
12	041-009	R9	RESISTOR, CARBON COMP, 1800 OHM, 1/2W, 5%	
13	041-016	R10	RESISTOR, CARBON COMP, 22K, 1/2W, 5%	
14	041-373	R5	RESISTOR, CARBON COMP, 9100 OHM, 1/2W, 5%	
15	042-482	R8	RESISTOR, METAL FILM, 47.5K, 1/4W, 1%	
16	057-208	R3	RESISTOR, METAL FILM, 22.1K, 1/4W, 1%	
18	4840153		SCHEMATIC	
19	280-130		SPACER, TRANSISTOR	

VERSION: 4050409-01





↑ LAST REF. DES. USED REF. DES. NOT USED  
P1

NOTES: UNLESS OTHERWISE SPECIFIED

1. ALL CAPACITOR VALUES ARE IN MICROFARADS.

2. ALL RESISTOR VALUES ARE IN OHMS, 1/2W, 5%.

3. TRANSISTORS 2N3117 OR 2N3565 MAY BE USED

INSTEAD OF 014-698 FOR SERVICE USE ONLY.

R10  
C6  
Q2  
E7  
P2  
T1