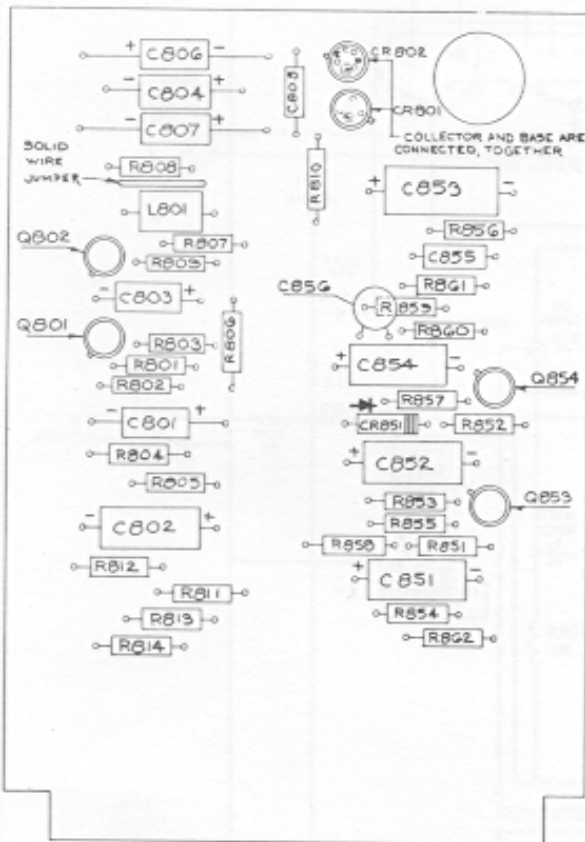
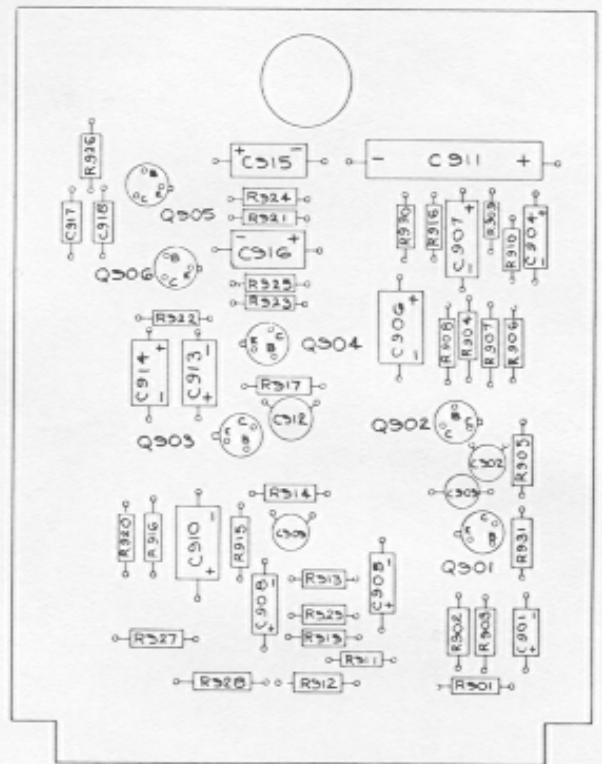


BIAS OSCILLATOR P/N 502110700

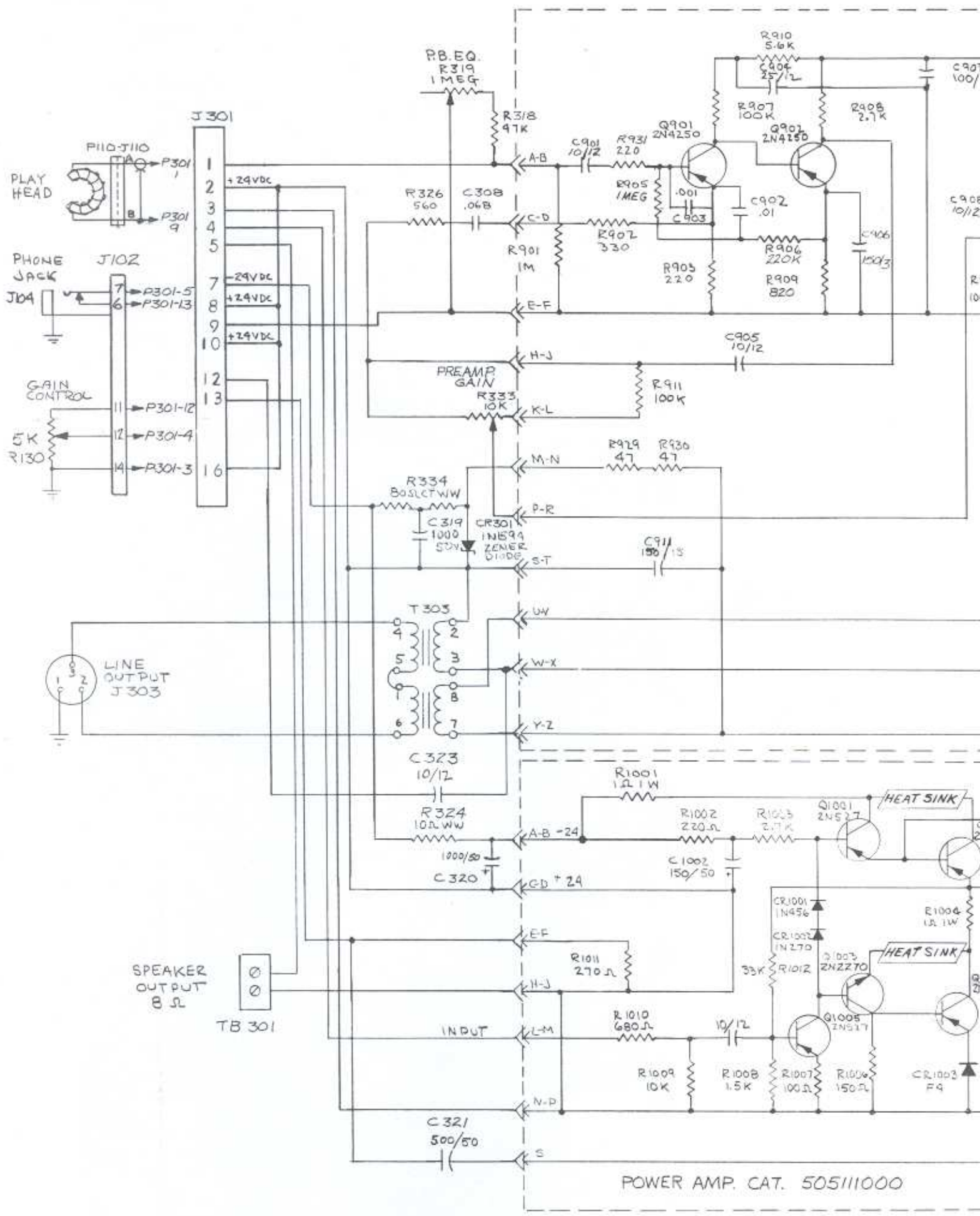


RECORD AMPLIFIER P/N 502110800



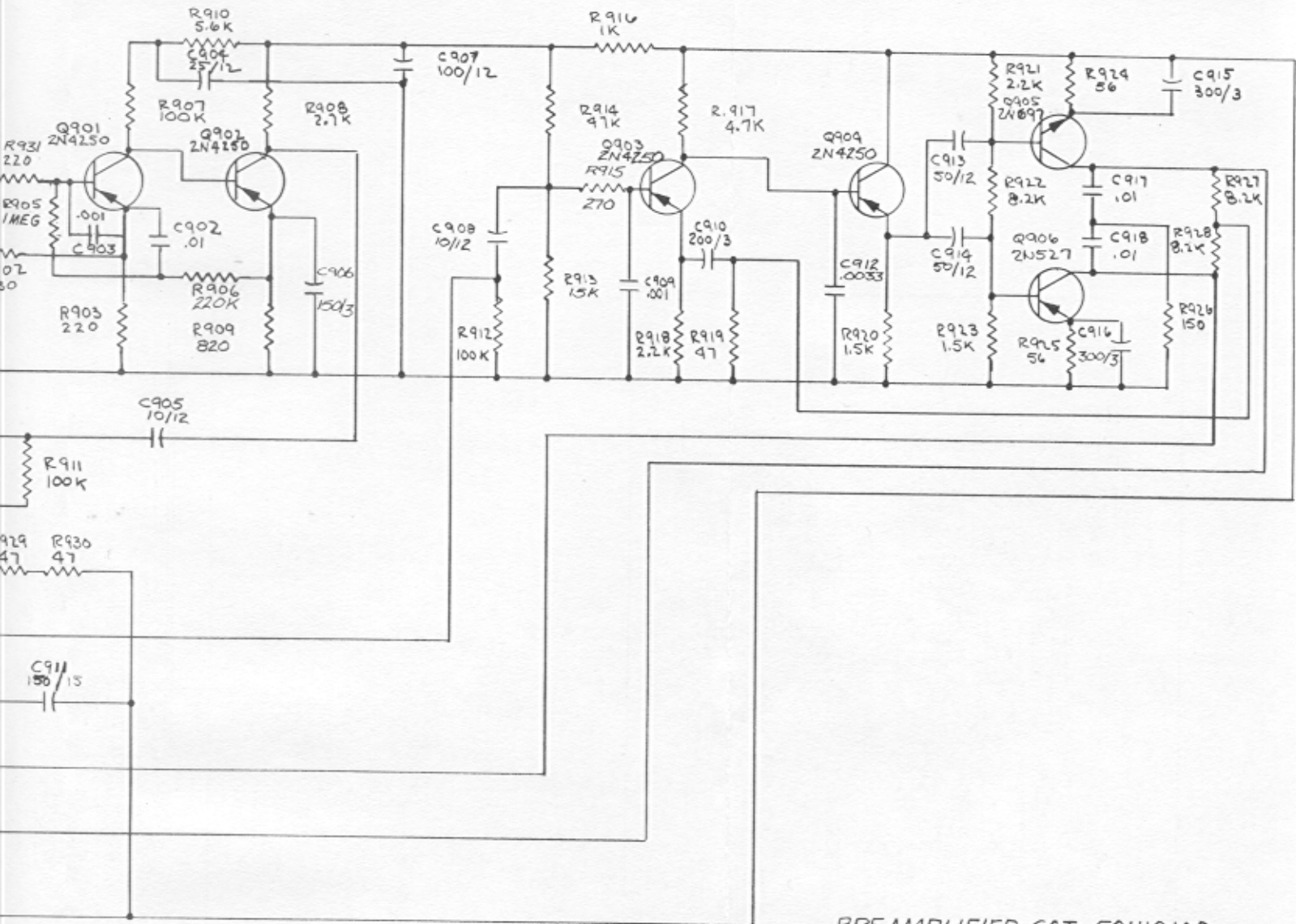
PLAYBACK AMPLIFIER P/N 502111000

Figure 8-13. Electronics Circuit Cards, All Models 280, Parts Location Diagrams

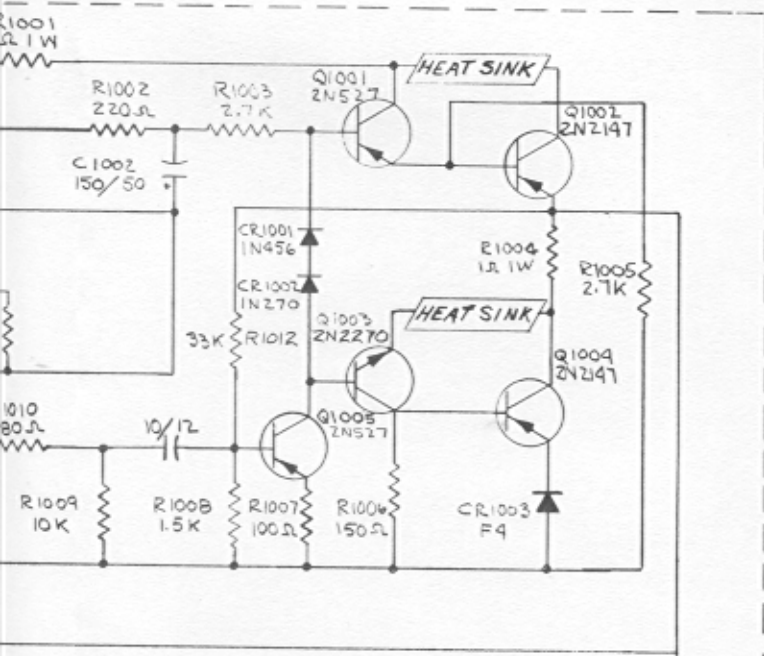


POWER AMP. CAT. 505111000

REFERENCE DRAWINGS

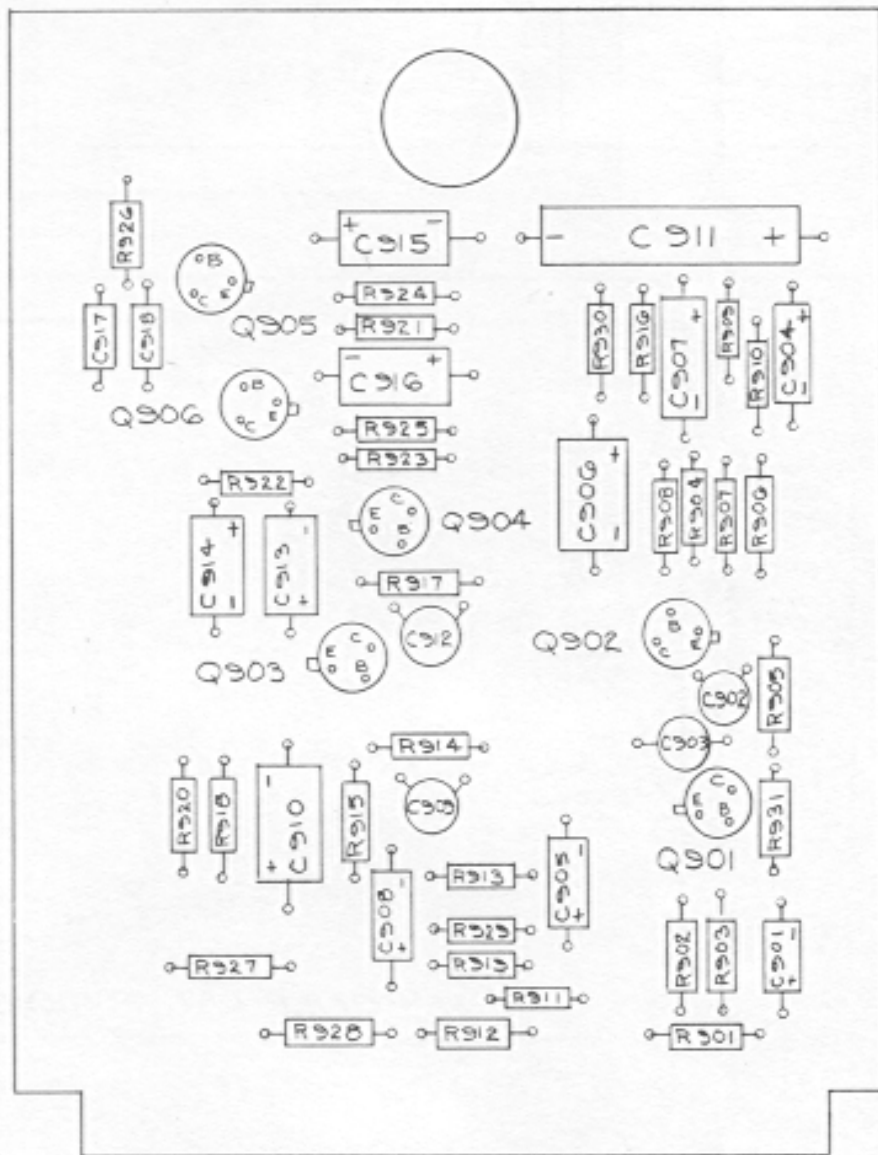


PREAMPLIFIER CAT. 501110100



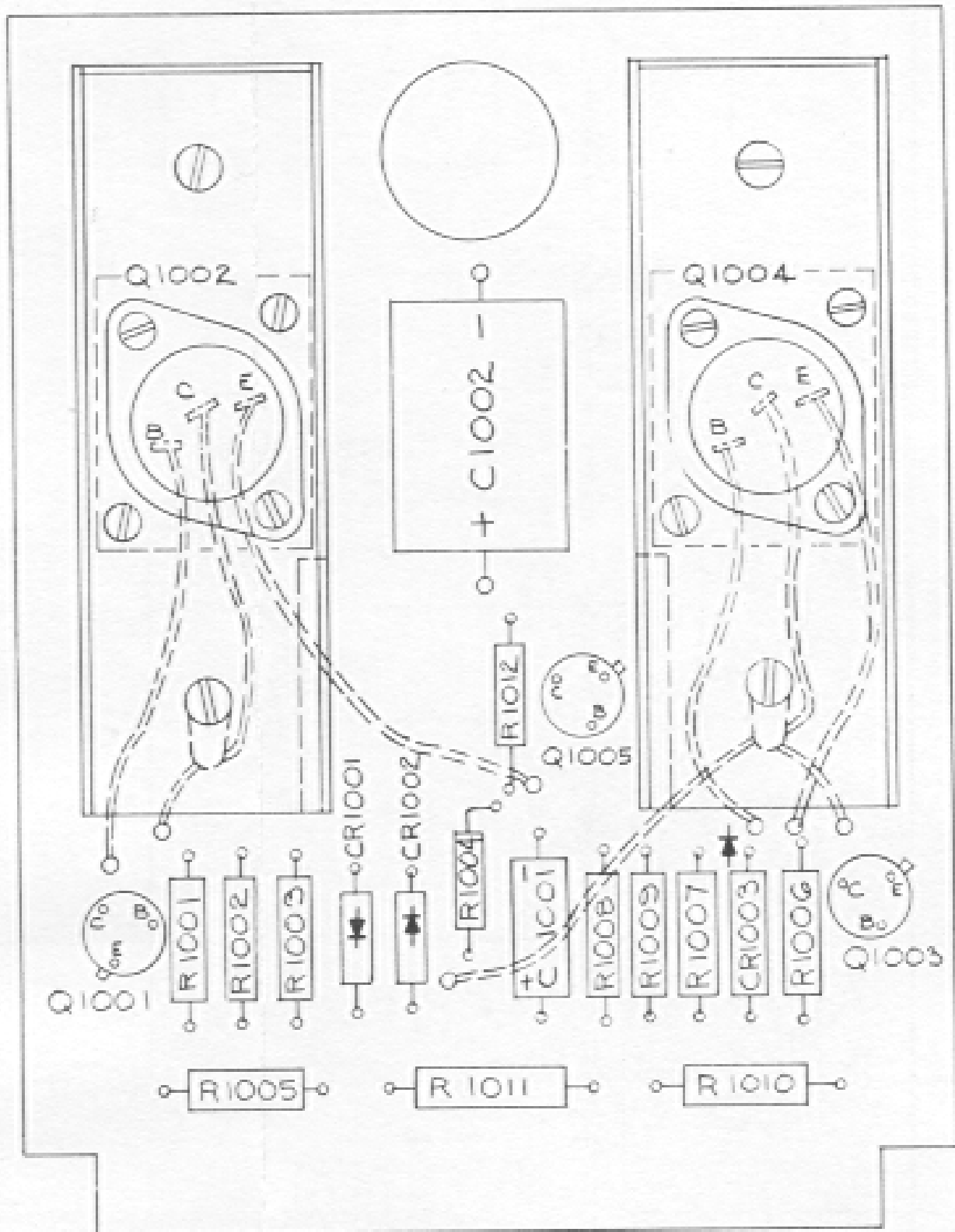
POWER AMP. CAT. 505111000

Figure 8-14. Model 275 Electronics Schematic Diagram

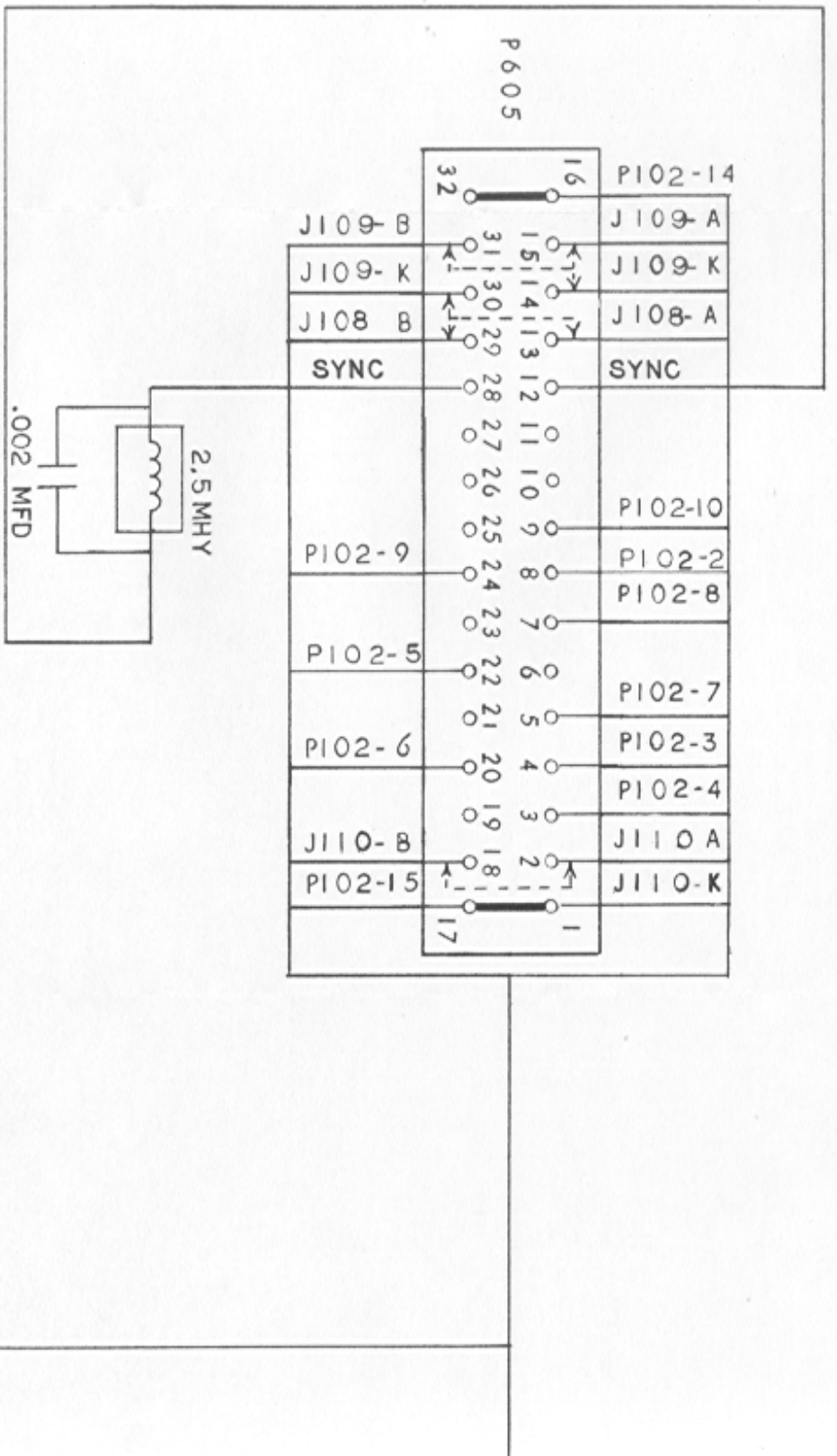


CAT. 501110100

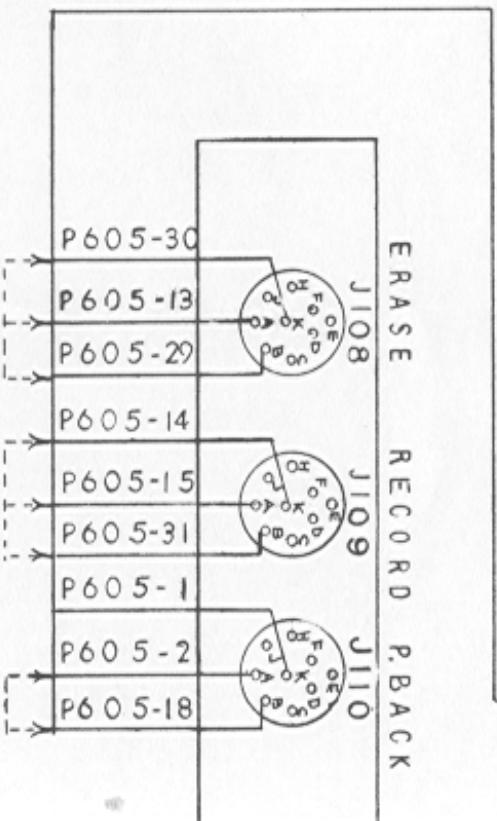
Figure 8-15. Model 275 Electronics Circuit Cards,
Parts Location Diagrams



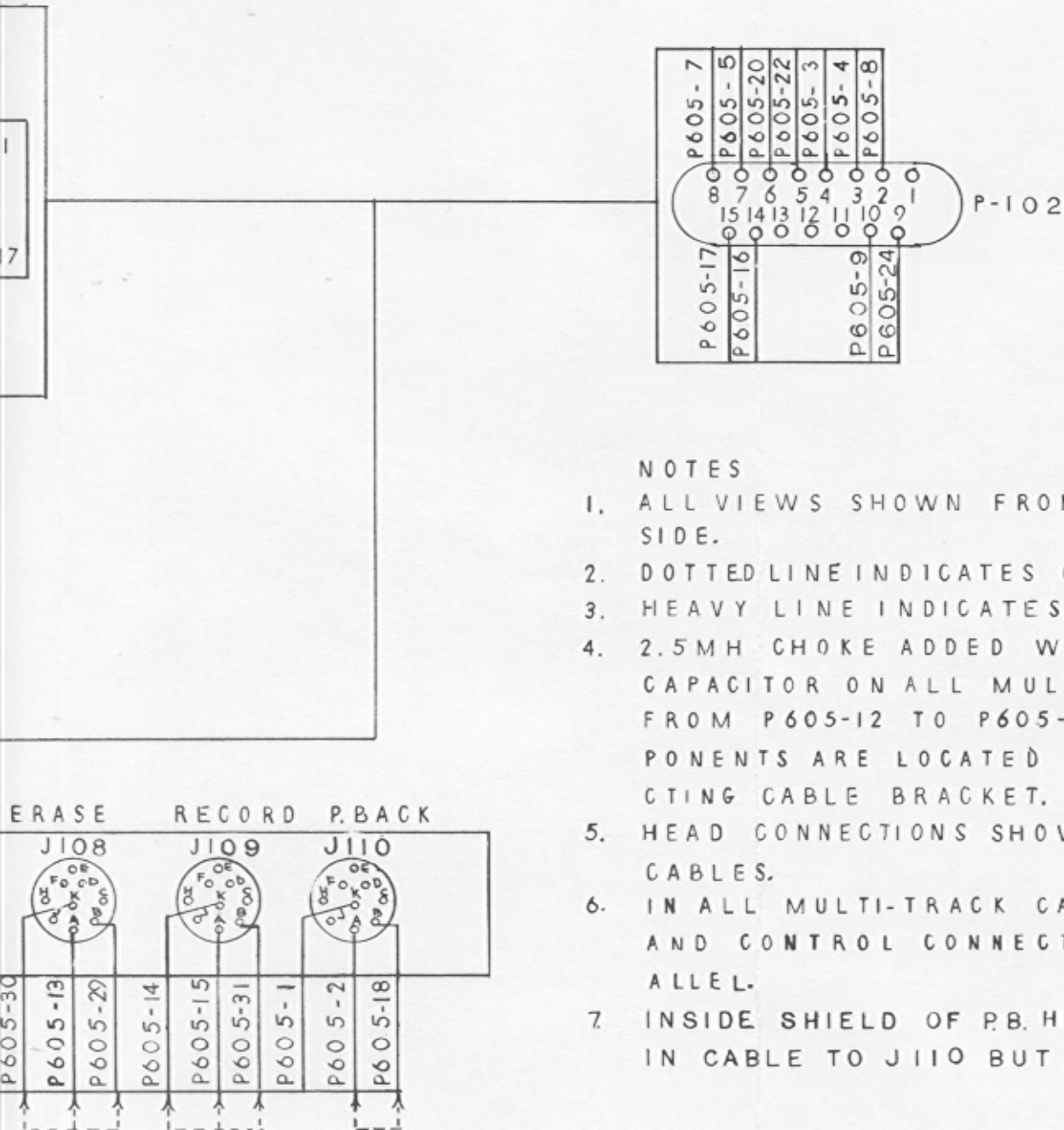
CAT. 505111000



CONNECTIONS FOR MULTI-
 TRACK HEAD CONFIGURATION
 PINS A-B TRACK-1 (FULL/HALF TRK.)
 PINS C-D TRACK-2 (2/OUTR TRACK)
 PINS E-F TRACK-3
 PINS H-J TRACK-4



REFERENCE DRAWINGS



NOTES

1. ALL VIEWS SHOWN FROM WIRING SIDE.
2. DOTTED LINE INDICATES ONE CABLE.
3. HEAVY LINE INDICATES SOLID JUMPER.
4. 2.5MH CHOKE ADDED WITH .002MFD. CAPACITOR ON ALL MULTI-TRACK UNITS, FROM P605-12 TO P605-28. THESE COMPONENTS ARE LOCATED ON INTERCONNECTING CABLE BRACKET.
5. HEAD CONNECTIONS SHOWN ARE FOR MONO-CABLES.
6. IN ALL MULTI-TRACK CABLES ALL POWER AND CONTROL CONNECTIONS ARE PARALLEL.
7. INSIDE SHIELD OF P.B. HEAD LEAD. IN CABLE TO J110 BUT NOT CONNECTED.

Figure 8-16. Interconnecting Cable Schematic, All Models 280

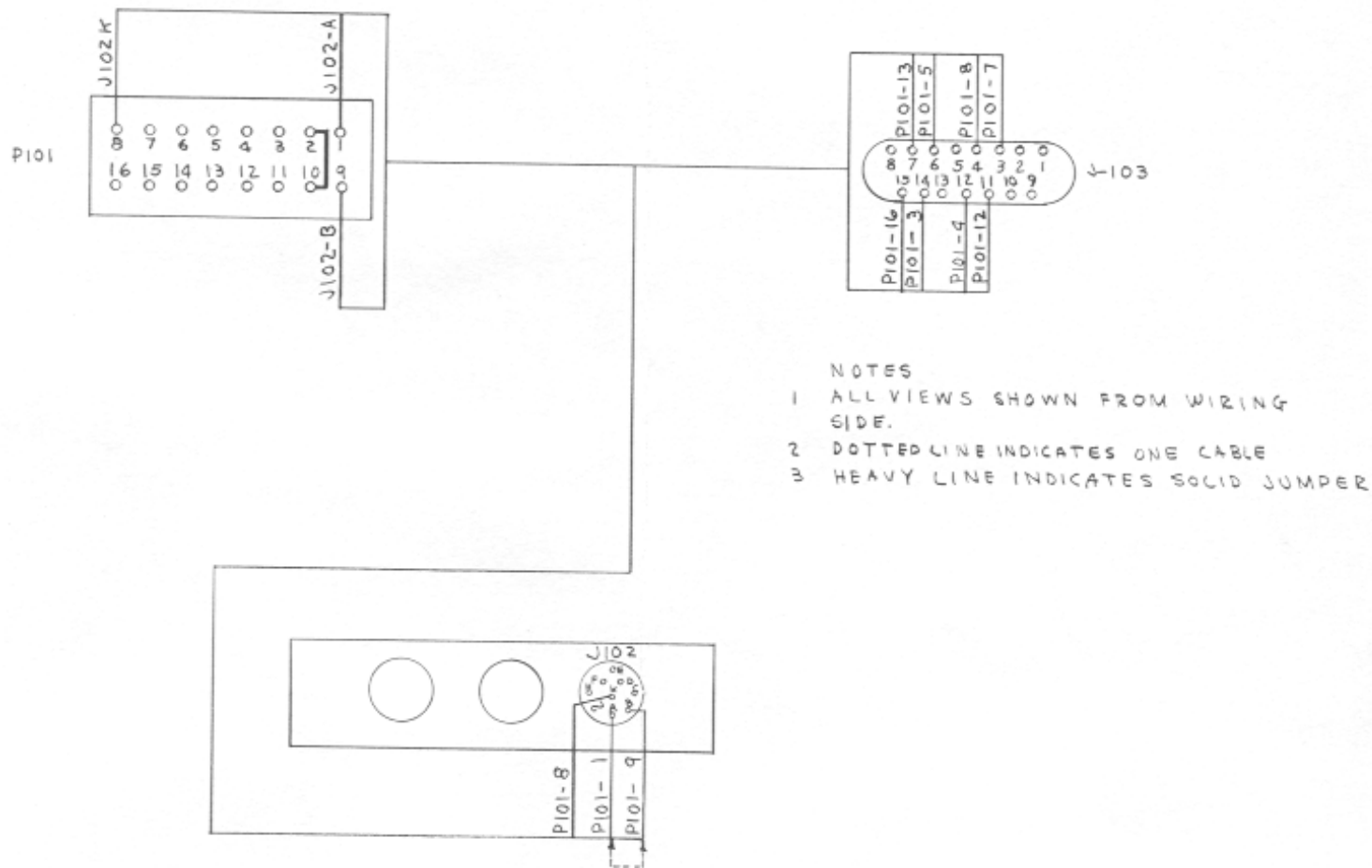
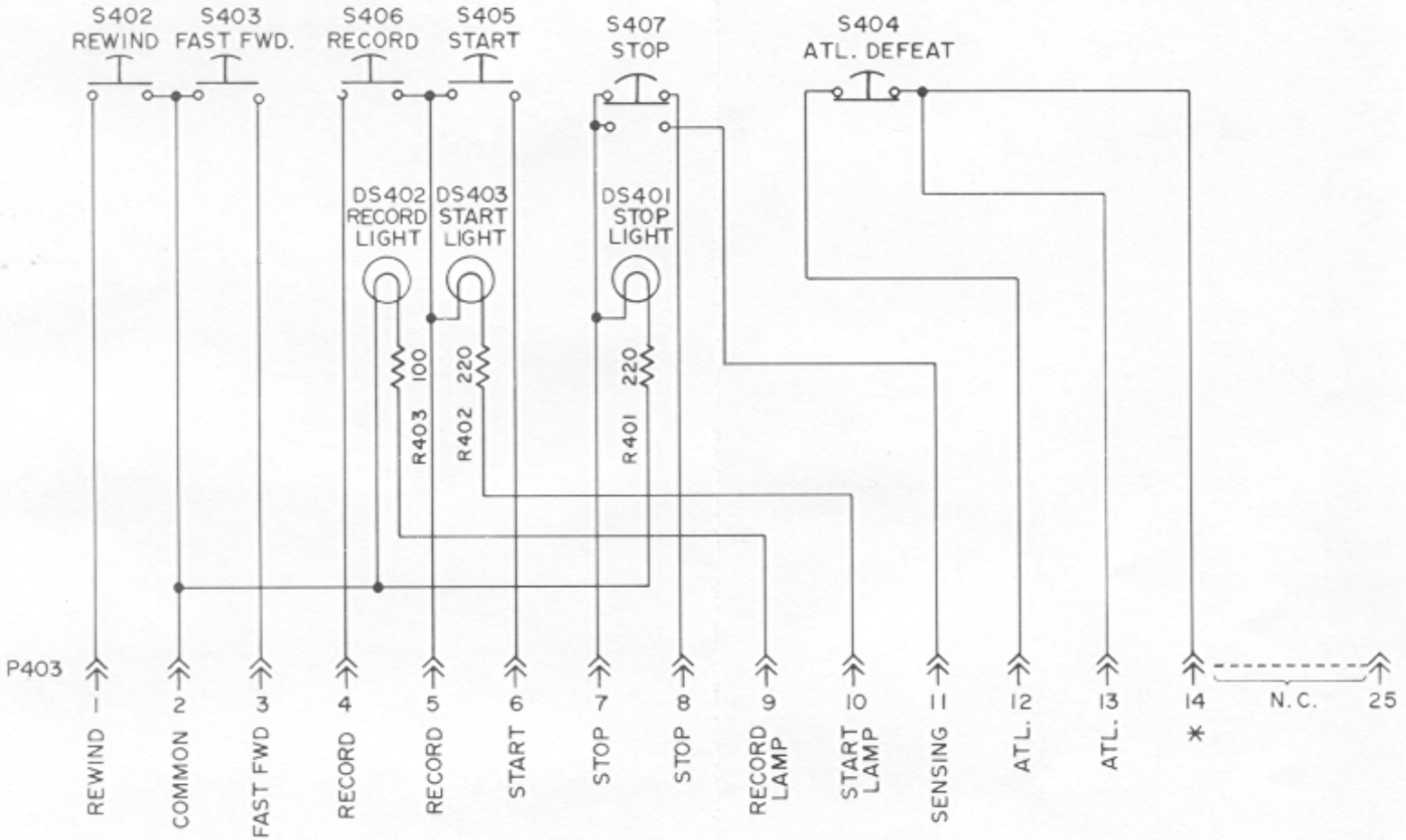


Figure 8-17. Model 275, Interconnecting Cable Schematic



NOTES:

1. RESISTOR VALUES ARE IN OHMS, 1/2 W
2. ALL LAMPS # 335

* SHORTS OUT T.L. MICROSWITCH ON DECK

Figure 8-18. DeLux Remote Control Unit, Cat. No. 504210100-01, Schematic Diagram (for Motion Sensing Models 280 and 280/SP-14)