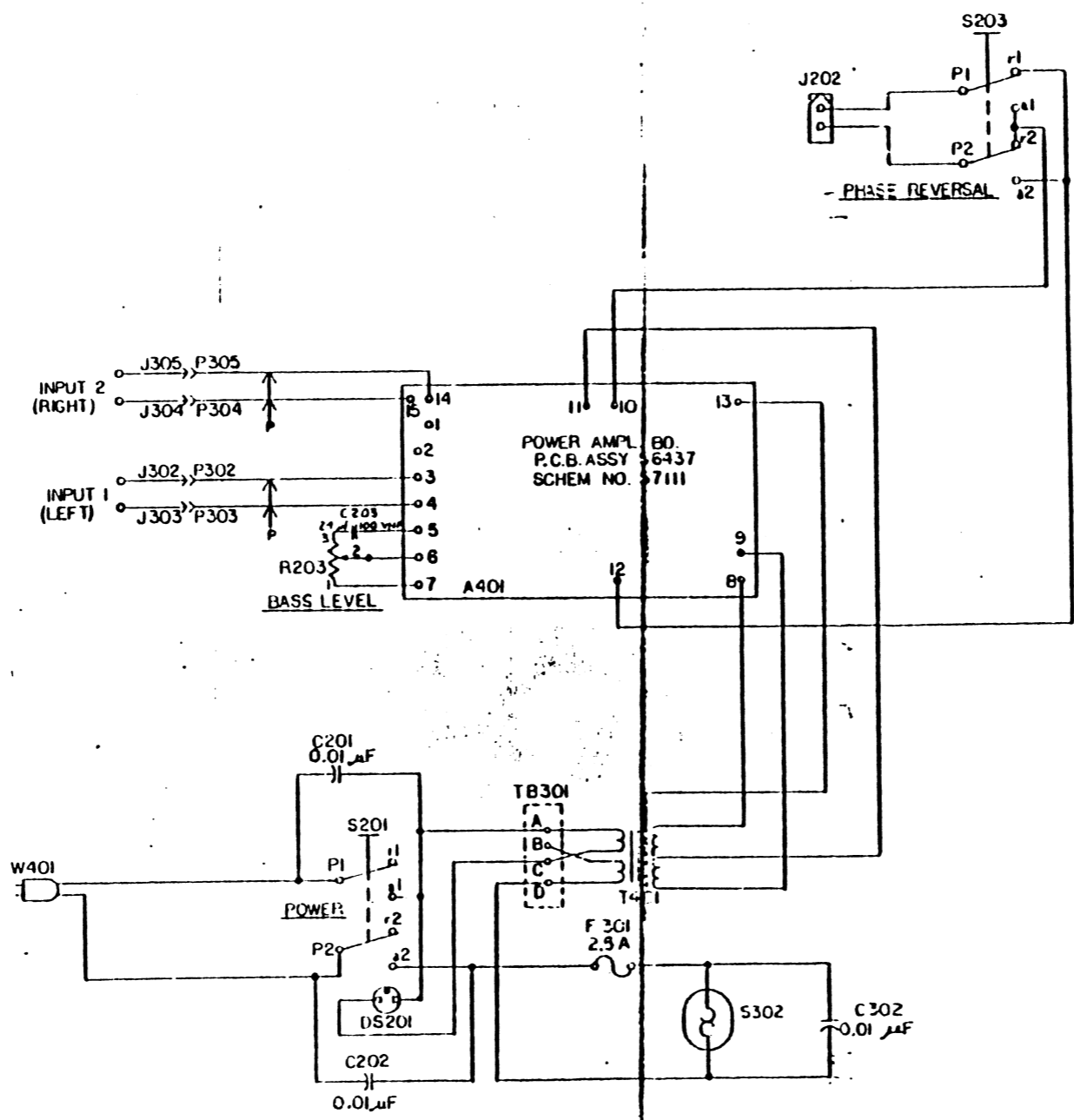


**NOTICE**

THE FOLLOWING  
DCR'S ARE  
OUTSTANDING  
AGAINST THIS  
DRAWING.



3 FOR WIRING DIAGRAM SEE 57185.

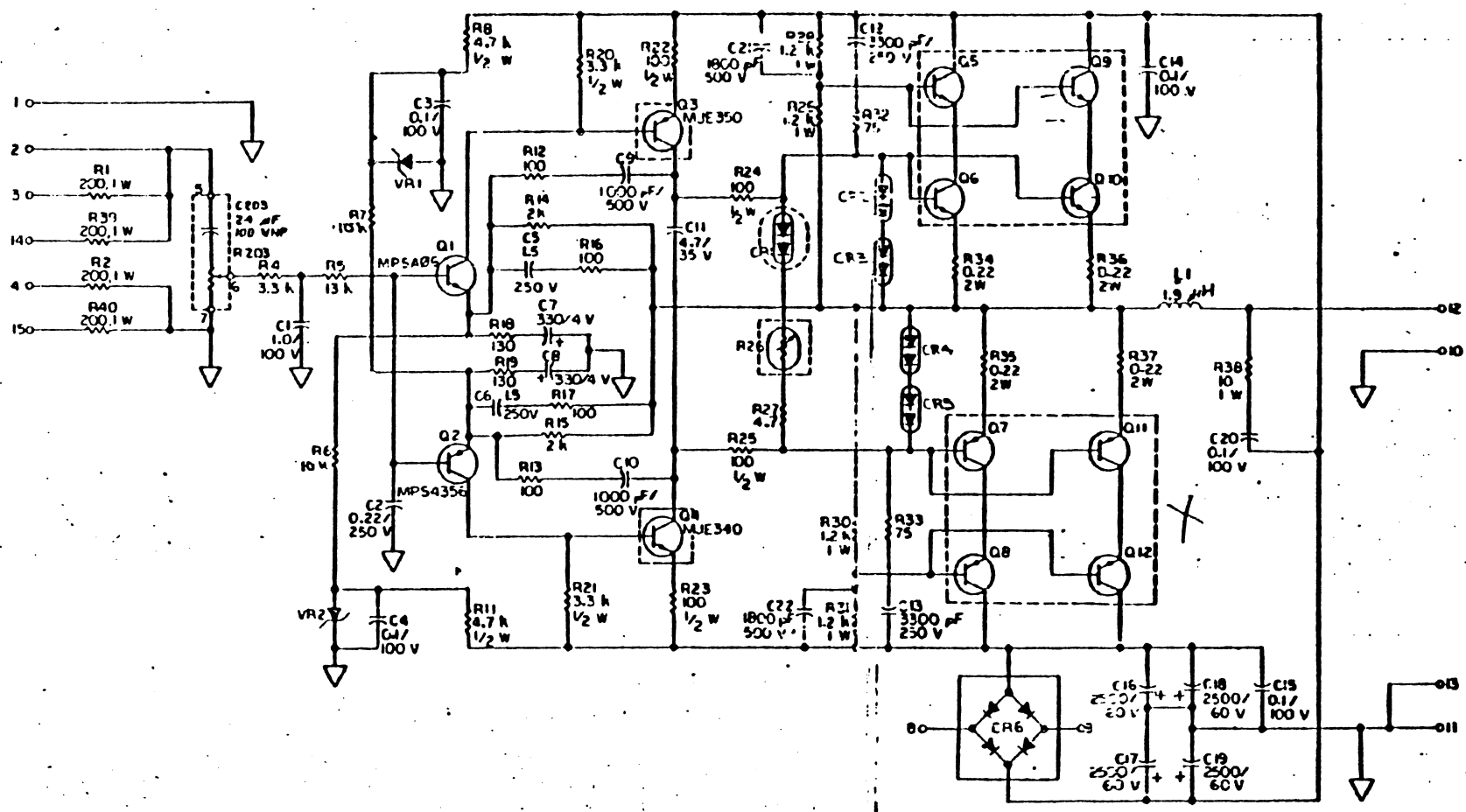
2 COMPONENT REFERENCE DESIGNATION CODE - FRONT PANEL 201 & UP  
REAR PANEL 301 & UP  
CHASSIS 401 & UP

1 CAPACITOR VALUES IN MICROFARADS

NOTES:

DATE		BY		CHECKED		APPROVED		REVISION	
SCHEMATIC, RA DEL 212E									

NOTICE  
THE FOLLOWING  
DATA ARE  
FOR THE PURPOSES  
OF THIS DRAWING.



- 10. NOMINAL VALUE FOR R21 MAY BE VARIED FROM ZERO TO 10 Ω TO ACHIEVE A STABLE IDLE AC POWER CONSUMPTION OF 10 TO 20 W. SEE DWG 36409.
- 9. NOMINAL VALUE FOR R22 MAY BE VARIED FROM 50 TO 150 Ω TO CORRECT FOR DC OFFSET. SEE DRG 36476.
- 9 FOR CHASSIS SCHEMATIC SEE DRG 57186.
- 7. DELETED
- 6. C5 THRU Q12 MUST BE SAME MANUFACTURER
- 5. TRANSISTORS Q7, Q8, Q9, Q10 (CAP203B/2N5041).
- 4. TRANSISTORS Q5, Q6, Q11, Q12 (2N3827/2N6074).
- 3. DIODES CR1 THRU CR5 ARE MZ2361
- 2. CAPACITOR VALUES IN MICROFARADS.
- 1. RESISTOR VALUES IN OHMS, 1/4W, 5%.

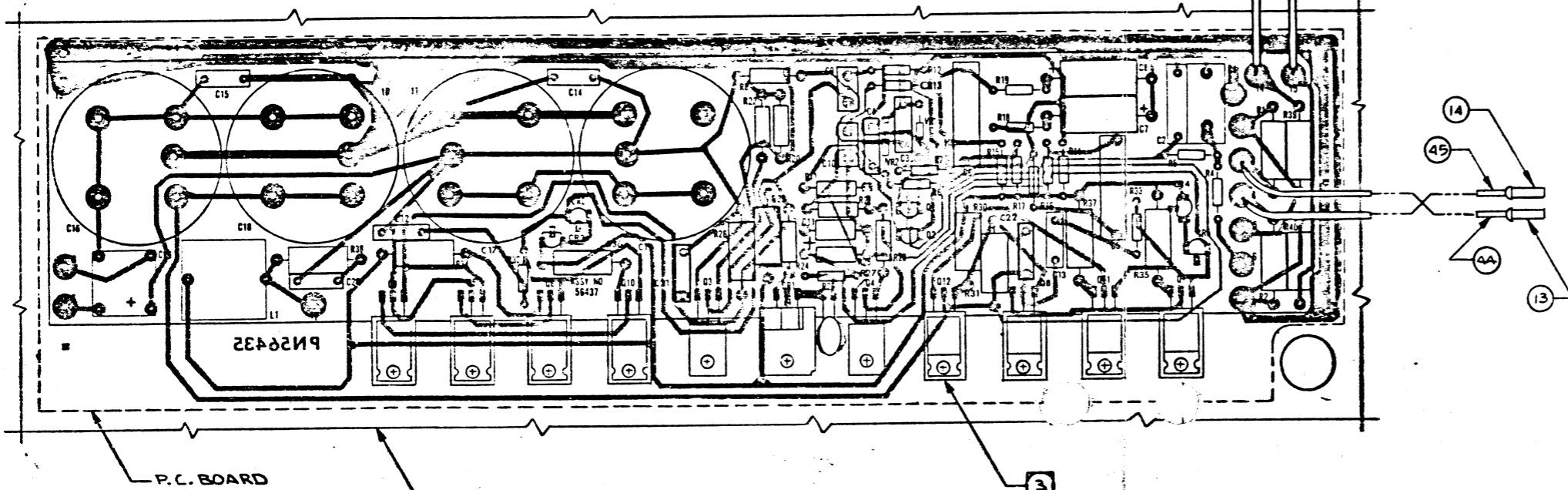
NOTES (LESS CHEAPER SPECIFIED)

FILE COPY

REVISIONS		APPROVALS		DATE	
1	INITIALS				
2	DATE				
3	BY				
4	DATE				
5	BY				
6	DATE				
7	BY				
8	DATE				
9	BY				
10	DATE				

**NOTICE**

THE FOLLOWING PARTS ARE ORDERING AGAINST THIS DRAWING.



CHASSIS MTG SURFACE SHOWN FOR REF. ONLY.

48	—			
47	52573	INDUCTOR - 1.9 μH	1 LI	
46	—			
45	54510	WIRE, 18AWG - BLK 14" LG	1 MRD54300	
44	54502	↑ - RED 14" LG	1 ↑	
43	54511	↑ - BLK/WHT 14" LG	1 ↑	
42	54523	WIRE, 18AWG - RED WHT 14" LG	1 MRD54300	
41	51430	JUMPER	1	
40	—			
39	55201	TRANSISTOR - MPS4356	1 Q2	
38	48340	TRANSISTOR - MPSA06	1 Q1	
37	56456	DIODE BRIDGE	1 CR6	
36	—			
35	52219	DIODE MSD7000	4 CR2THRU CR5	
34	52225	DIODE, ZENER	2 VR1, VR2	
33	—			
32	48929	CAPACITOR - 1800 pF @ 500V. MRD48418	2 C21, C22	
31	56455	↑ - 2500 μF @ 60V.	4 C16, C17, C18, C19	
30	53043	↑ - 3300 pF @ 250V, 10%	2 C12, C13	
29	47735	↑ - 4.7 μF @ 35V	1 C11	
28	48477	↑ - 1000 pF @ 500V, 5% MRD48418	2 C9, C10	
27	55172	↑ - 330 μF @ 4V.	2 C7, C8	
26	53081	↑ - 1.5 μF @ 250V.	2 C5, C6	
25	48434	↑ - 0.22 μF @ 250V	1 C2	
24	54998	↓ - 0.1 μF @ 100V, 10%	5 C3, C4, C14, C15, C20	
23	48503	CAPACITOR - 1.0 μF @ 100V 10%	1 C1	
22	—			
21	36714	RESISTOR - 10 Ω, 1W, 5%	1 R38	
20	—			
19	56249	RESISTOR - 0.22 Ω, 2W, 5%	4 R34, R35, R36, R37	
18	36430	RESISTOR - 75 Ω, 1/4W, 5%	2 R32, R33	
17	—			
16	36763	RESISTOR - 1.2 kΩ, 1W, 5%	4 R28, R29, R30, R31	
15	55171	RESISTOR - 4.7 Ω, 1/4W, 5%	1 R27	
14	56124	RECEPTACLE	2	
13	56123	RECEPTACLE	2	
12	11507	RESISTOR - 100 Ω, 1/2W, 5%	4 R22, R23, R24, R25	
11	12623	RESISTOR - 3.3 kΩ, 1/2W, 5%	2 R20, R21	
10	—			
9	36464	RESISTOR - 2 kΩ, 1/4W, 5%	2 R14, R15	
8	36436	RESISTOR - 130 Ω, 1/4W, 5%	2 R18, R19	
7	35549	RESISTOR - 100 Ω, 1/4W, 5%	4 R12, R13, R16, R17	
6	—			
5	10074	RESISTOR - 4.7 kΩ, 1/2W, 5%	2 R8, R11	
4	36481	↑ - 10 kΩ, 1/4W, 5%	2 R6, R7	
3	36484	↑ - 13 kΩ, 1/4W, 5%	1 R5	
2	35585	↓ - 3.3 kΩ, 1/4W, 5%	1 R4	
1	36744	RESISTOR - 200 Ω, 1W, 5%	4 R1, R2, R39, R40	
ITEM	PART NUMBER	DESCRIPTION	QTY	REMARKS

BILL OF MATERIAL

- 5. NOMINAL VALUE FOR R27: MAY BE VARIED FROM ZERO TO 10 Ω TO ACHIEVE A STABLE IDLE ac POWER CONSUMPTION OF 10 TO 20 W. SEE DWG 36409.
  - 4. NOMINAL VALUE FOR R22: MAY BE VARIED FROM 50 TO 150 Ω TO CORRECT FOR dc OFFSET. SEE DWG 35676.
  - 3. ALL CHASSIS MOUNTED COMPONENTS SHOWN FOR REF. ONLY. FOR MOUNTING DETAIL SEE ASSY 56432.
  - 2. ALL RESISTORS 1 WATT & GREATER MUST BE STOOD OFF BOARD APPROX. 1/8".
  - 1. FOR SCHEMATIC SEE DWG 57111.
- NOTES: (UNLESS OTHERWISE SPECIFIED)

REV	DATE	BY	CHKD	APP'D	DESCRIPTION
1					REV & REDRAWN PER DCN 44-22771
2					REV & REDRAWN PER DCN 44-22771
3					REV & REDRAWN PER DCN 44-22771
4					REV & REDRAWN PER DCN 44-22771
5					REV & REDRAWN PER DCN 44-22771

UNLESS OTHERWISE SPECIFIED DIMENSIONS ARE IN INCHES.  
 BREAK SHARP EDGES 0.015  
 DECIMALS FRACTIONS ANGULAR  
 .X.XX 01 1/16 005 3/32 30  
 DRAWN: 7/17/77  
 CHECKED: 7/17/77  
 DESIGNED: 7/17/77  
 P.C. BOARD ASSY  
 DRAWING NUMBER: 56437  
 SHEET 1 OF 1

56437

212E