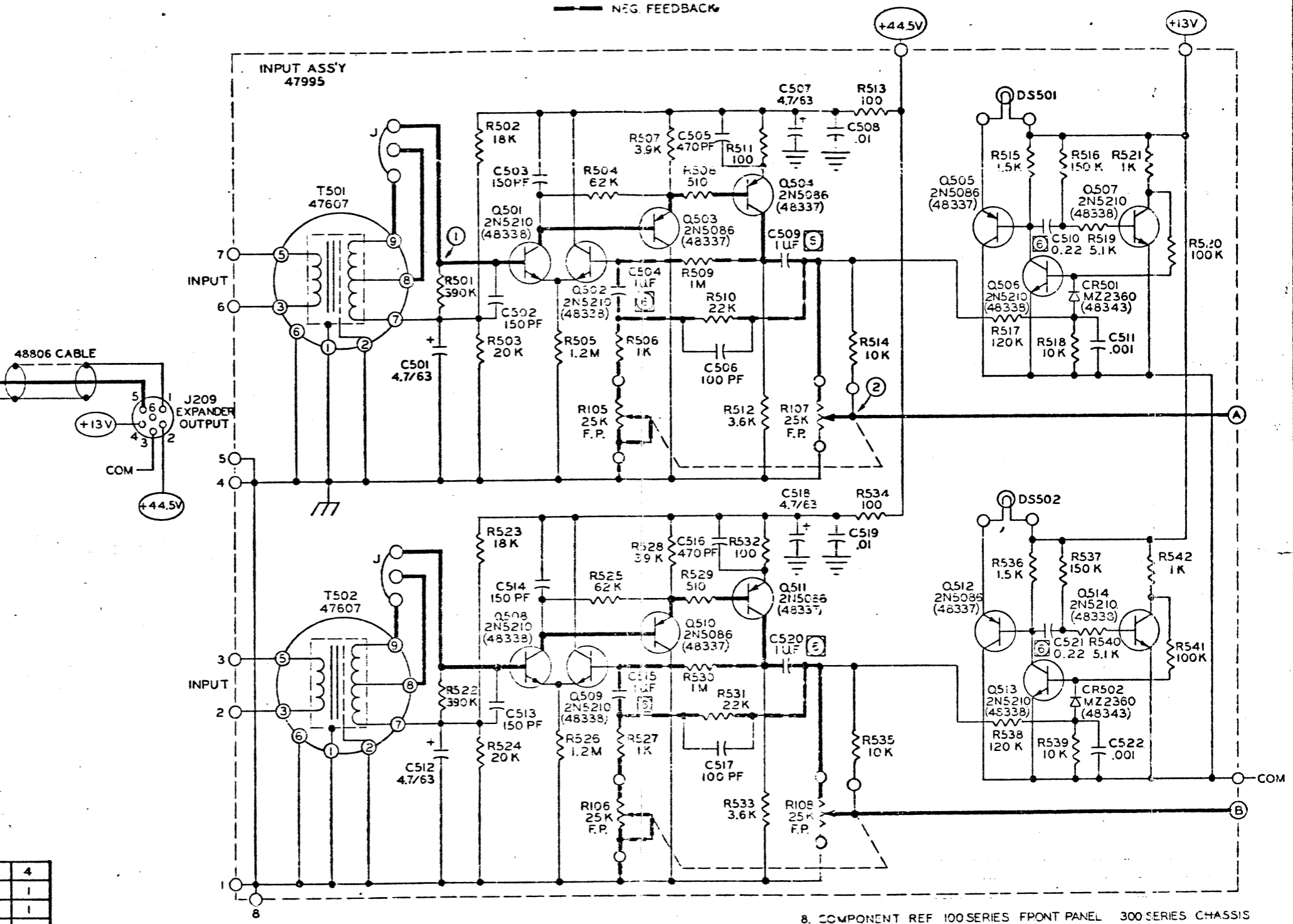
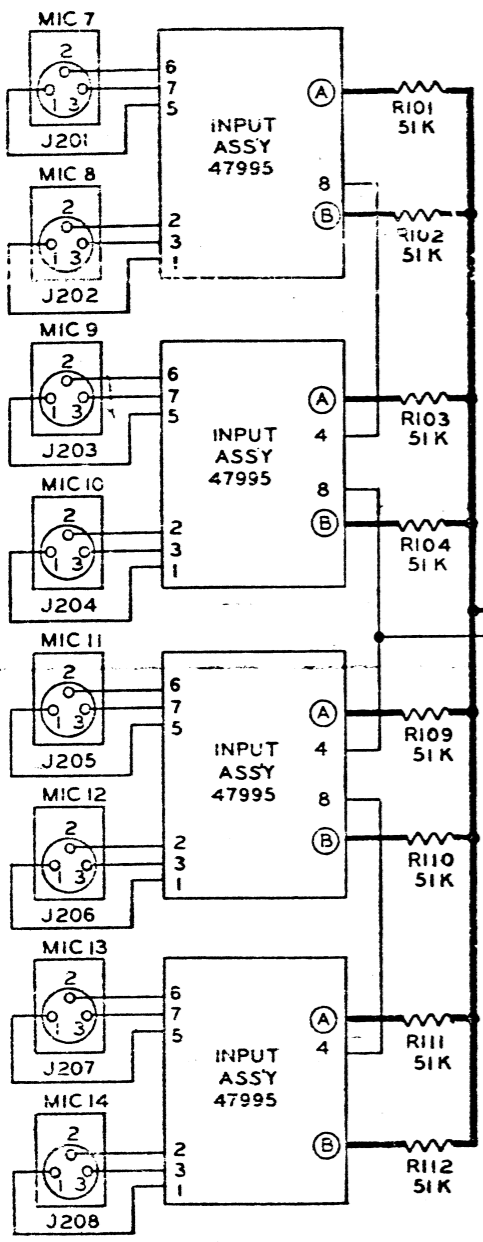


THESE DRAWINGS AND SPECIFICATIONS ARE THE PROPERTY OF JAMES B. LAWING SOUND INC. THEY ARE ISSUED IN STRICT CONFIDENCE AND SHALL NOT BE REPRODUCED, COPIED, OR USED AS THE BASIS FOR MANUFACTURE OR SALE OF APPARATUS WITHOUT PERMISSION.

| LAST REV. DESIGNATION USED |      |       |      |
|----------------------------|------|-------|------|
| R112                       | C522 | CR502 | T502 |
| R542                       | Q514 | DS502 | J209 |

TROUBLESHOOT T.P.  
 SIGNAL PATH  
 NEG. FEEDBACK



|       |                            |    |
|-------|----------------------------|----|
| 21799 | WASHER                     | 4  |
| 41122 | BAG                        | 1  |
| 59478 | CAUTION LABEL              | 1  |
| 49812 | FOILCAL                    | 1  |
| 49799 | INSULATOR                  | 2  |
| 34732 | SCREW 6X3/8                | 16 |
| 10042 | SCREW 8-32 X 1/4           | 4  |
| 11776 | SCREW 6-32 X 3/8           | 4  |
| 47896 | SCREW HEX SEMS 6-32 X 5/16 | 16 |
| 48401 | RUBBER STRIP               | 1  |
| 49805 | BOTTOM COVER MRD 49801     | 1  |
| 48837 | TOP COVER MRD 48834        | 1  |
| 47995 | MIC ED ASSY                | 4  |
| 48810 | SHELF ASSY                 | 1  |
| 48811 | FRONT PANEL ASSY           | 1  |
| 48808 | CHASSIS ASSY               | 1  |

6 DENOTES MYLAR FILM CAPACITOR  
 5. FOR TEST SPECS. SEE DWG. 48816REV1  
 4. APPROVED SAMPLE MODEL 5308 CURRENT REVISION MAINTAINED IN MFG DEPT.  
 3. JBL RESERVES THE RIGHT TO MAKE MINOR COMPONENT CHANGES WITHOUT NOTICE  
 2. CAPACITORS IN UFD. THOSE OVER 1.0UFD ARE POLARIZED ELECTROLYTICS, POLARITY SHOWN  
 1. RESISTORS IN OHMS, 1/2W, 5%  
 NOTES: (UNLESS OTHERWISE SPECIFIED)

8. COMPONENT REF 100SERIES FRONT PANEL 300SERIES CHASSIS DESIGNATION: 200 BACK PANEL 400 L.P. PC BOARDS  
 7. FA 2N FAMILY OR HOUSE NUMBERED DEVICE WILL WORK IN THE CIRCUIT WITHOUT SELECTION, THE NUMBER WILL APPEAR ON THE SCHEMATIC AS THE PRIMARY NUMBER AND THE JBL PART NUMBER WILL APPEAR BELOW IN PARENTHESES. IF THE DEVICE IS A SPECIAL SELECTION FROM A PARTICULAR FAMILY, THE JBL PART NUMBER WILL APPEAR FIRST WITH THE 2N OR HOUSE NUMBERED DEVICE IN PARENTHESES.

5308

|  |                           |                     |   |  |  |  |
|--|---------------------------|---------------------|---|--|--|--|
| REVISIONS<br>1. 5308<br>2. 5308<br>3. 5308<br>4. 5308<br>5. 5308<br>6. 5308<br>7. 5308<br>8. 5308<br>9. 5308<br>10. 5308 | DATE BY<br>13-72<br>13-72 | APPLICATION<br>5308 | IN USE - DIMENSIONS ARE IN INCHES UNLESS OTHERWISE SPECIFIED<br>DECIMALS: .001<br>FRACTIONS: 1/16<br>ANGULAR: 1/2 | DRAWN: KS 1-17-72<br>CHECK: J. H. HAYES 3/17/72<br>DESIGN: | ENGR: J. H. HAYES 3/17/72<br>APPR: J. H. HAYES 3/17/72<br>SCALE: 1" = 1" | DRAWING NUMBER: 48813<br>REV: B<br>SHEET: 1 OF 1 |
|--|---------------------------|---------------------|---|--|--|--|