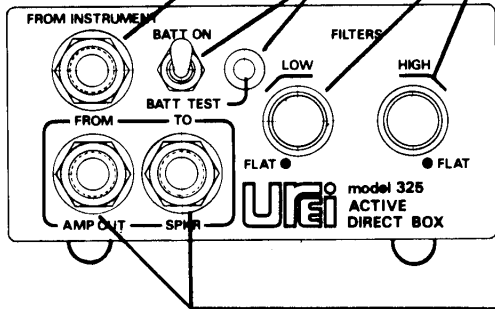


model 325

CONTROLS AND CONNECTIONS

FRONT



INSTRUMENT INPUT. Use when connecting the Direct Box between the instrument and it's amplifier. (See ISOLATED OUTPUT below).

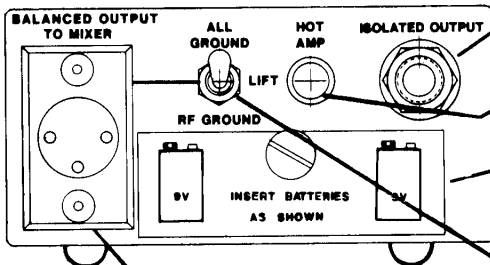
POWER SWITCH, TEST LAMP.

| Position | Function |
|----------|--|
| Up | : Batteries on. |
| Center | : Batteries off, 48 V Phantom Powered. |
| Down | : Battery test - good batteries light the lamp. |

FILTERS. Operate on the BALANCED OUTPUT TO MIXER signal.

AMP/SPEAKER JACKS. Use when connecting the Direct Box between the instrument amplifier and speaker.

REAR



ISOLATED OUTPUT. Connect to the amplifier input when using the Direct Box between the instrument and amplifier.

HOT AMP LAMP. Warns of dangerous voltages between the mixer and instrument grounds.

BATTERY COVER. Remove for battery access. The batteries will not work if incorrectly installed, however no damage will occur. OK to Phantom Power with or without batteries installed.

GROUND SWITCH.

| Position | Name | Function |
|----------|-------------|--|
| UP | All Ground | Instrument and mixer grounds connected |
| Center | Ground Lift | Opens ground connection. |
| Down | RF Ground | Grounded only at Radio Frequencies |

Note: The INPUT JACK ground is tied to the Direct Box chassis. Pin #1 of the BALANCED OUTPUT connector goes to the chassis through the GROUND LIFT SWITCH. For proper operation of the ground lift switch do not connect Pin #1 to the shell of the BALANCED OUTPUT cable connector.

BALANCED OUTPUT TO MIXER. Low level signal to PA or recording mixer microphone input. Signal between Pins #2 and #3. Shield Pin #1.



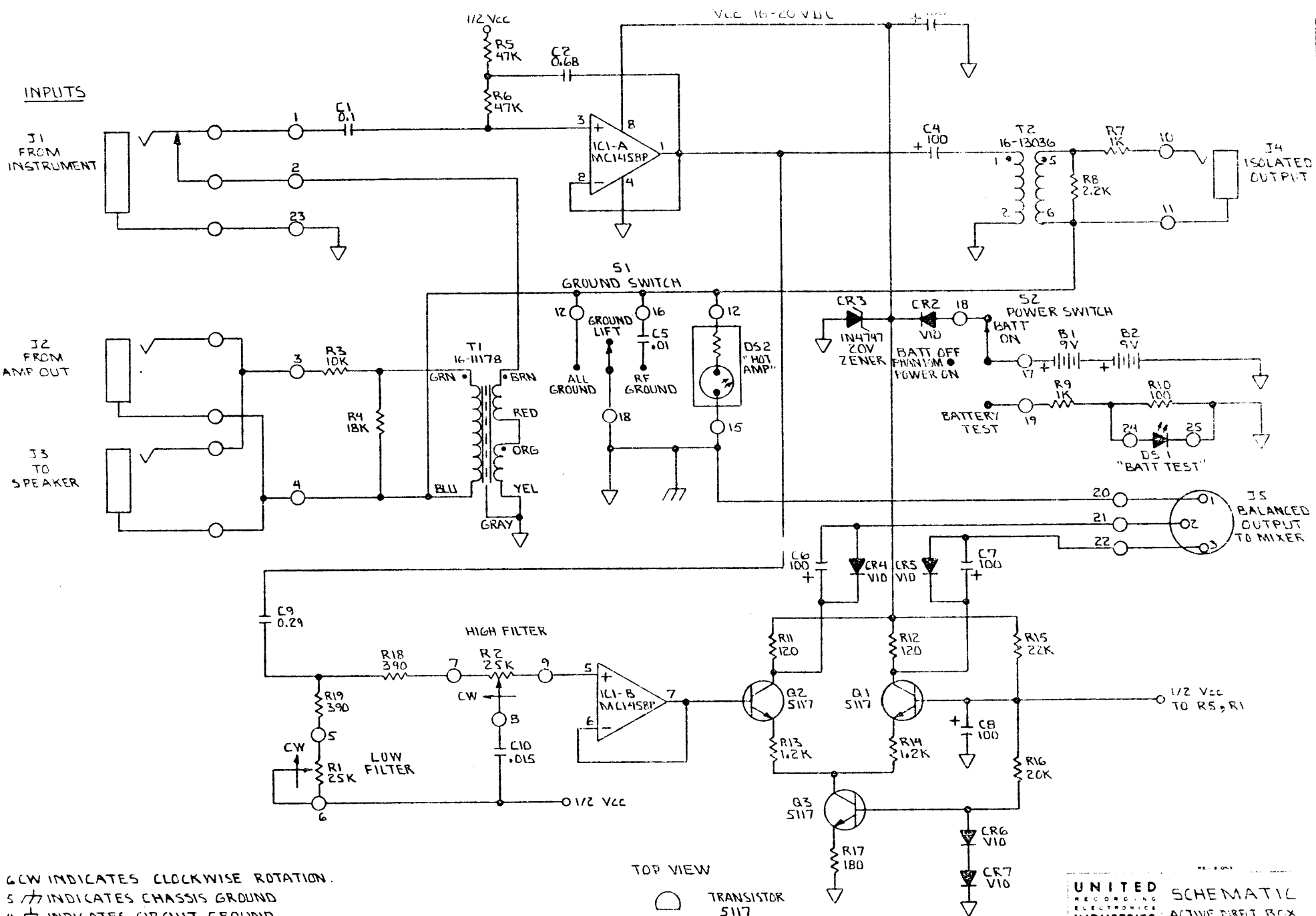
UNITED RECORDING ELECTRONICS INDUSTRIES

8460 SAN FERNANDO RD., SUN VALLEY, CALIFORNIA 91352
TELEX 65-1389 UREI SNVY

(213) 767-1000



MODEL
325



UNITED RECORDING ELECTRONICS INDUSTRIES
 SCHEMATIC ACTIVE DIRECT BOX
 MODEL 325
 DATE 7-9-81
 DEPARTMENT LOS ANGELES CALIFORNIA
 CHECKED R.P. MARIN
 APPROVED C13660